

# Assembly Instructions

## XL, AXL

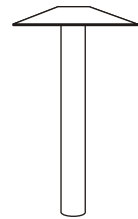
Components needed for assembly:

  
(4)  
8mm bolt  
Alan Head

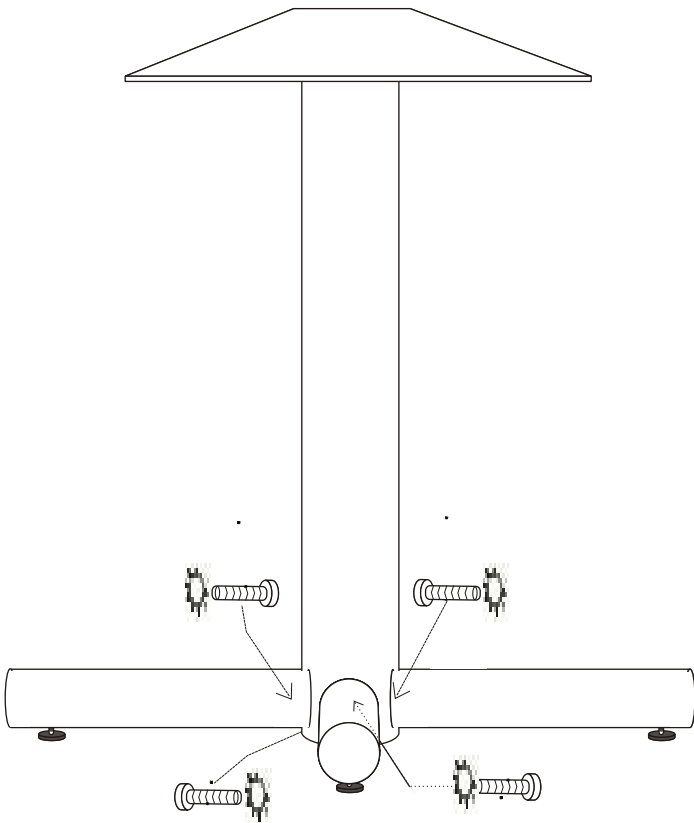


(4) Feet

  
(4) External tooth  
washers



(1) 25.5" vertical column  
with welded mounting plate



### Instructions

1. Set the mounting plate on the floor with the bottom of the column up. Attach (4) feet to the column by inserting (4) 8 mm bolts and washers from the center of the column into the feet. Hand tighten the bolts.
2. Use either 13mm ratchet wrench or impact drill to **tight bolt as much as possible.**